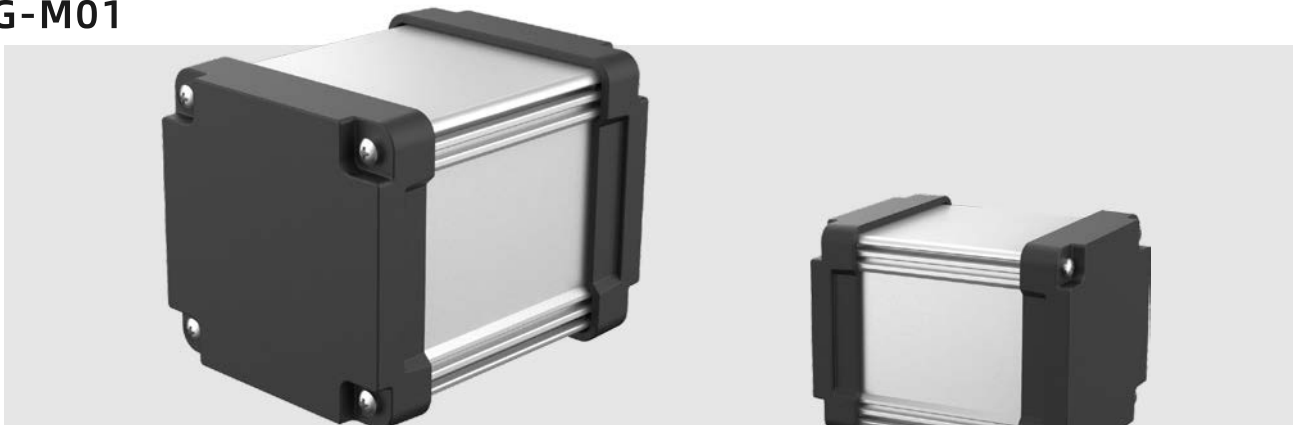




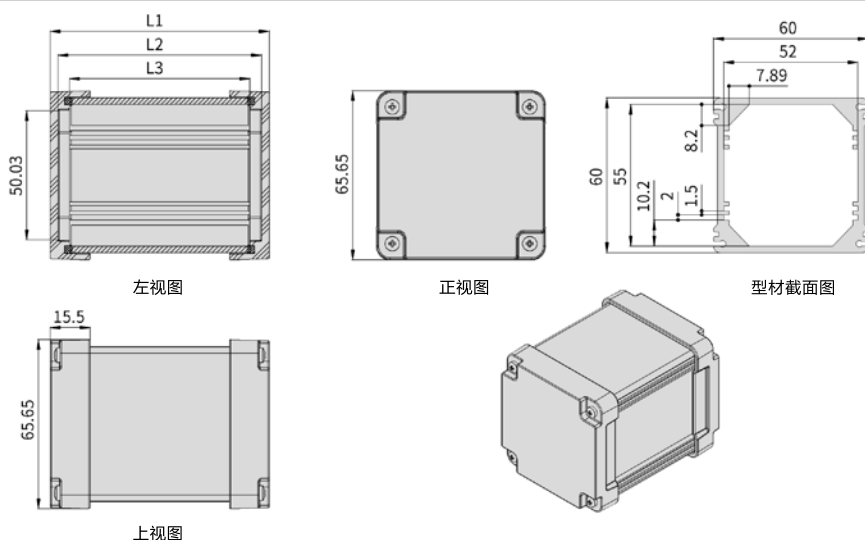
YONGU
-M series
IP68 waterproof aluminum enclosure

● YG-M01



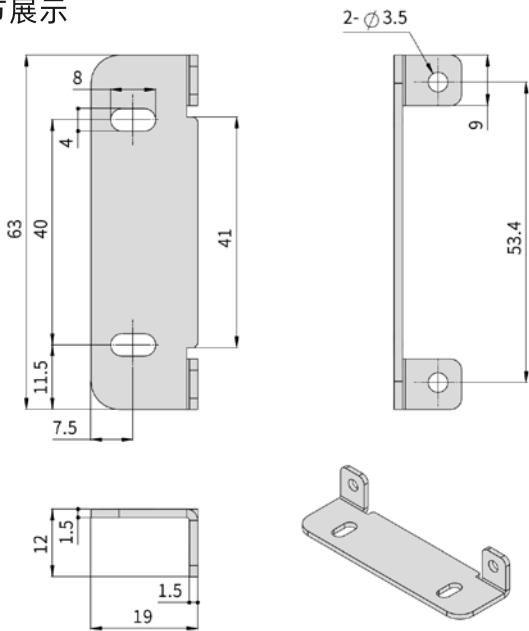
- 附带折弯配件，便于壁挂等放置方式
With bending accessories, convenient to wall mount and other ways
- 端盖配有密封胶条，防水等级可达IP68
The end cover is equipped with a sealing tape, and the waterproof grade can reach IP68
- 一体式壳体结构，稳定且易于安装
One-piece shell structure, stable and easy to install
- 内部插槽设计，可直接插入PCB板
Since the internal slot design, PCB board can be inserted into directly

序号 S/N	组件 Description	数量 pcs	材料 Material	颜色/表面处理 Color / Finish
1	壳体Shell	1	AL 6063-T5	喷砂黑色/喷砂银白Sandblasting Black/Silver
2	端盖Die-cast cover	2	ADC12	喷涂黑色Black coating
3	球面圆柱头螺丝M3X12Cross Recessed Raised Cheese Head ScrewsM3X12	8	SUS 304	/
4	点胶密封胶圈Dispensing Seal Ring	2	复合发泡胶 Composite Styrofoam	黑色Black



型号S/N	L1	L2	L3	重量/KG
M01-0001	85	79	70	0.283
M01-0002	95	89	80	0.304
M01-0003	105	99	90	0.347
M01-0004	115	109	100	0.391
M01-0005	125	119	110	0.455

● DETGAILS 细节展示



折弯配件，便于壁挂等放置方式
Bending accessories, easy to use
for mounting on the wall



开孔定制，激光打标，定制丝印
Customization: cutouts, laser
printing and silkscreen

● COLORING SCHEME 配色方案



(备货颜色 Stock color)



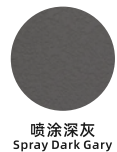
喷砂银白
Sandblasting Silver



喷涂黑色
Spray black



喷砂黑色
Sandblasting Black



喷涂深灰
Spray Dark Gray



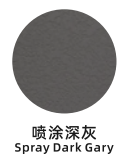
喷砂黑色
Sandblasting Black



喷涂黑色
Spray black



喷砂银白
Sandblasting Silver



喷涂深灰
Spray Dark Gray

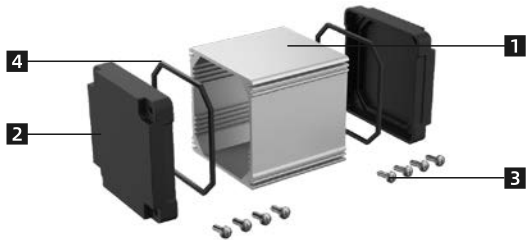


www.yg-enclosure.com/ www.yonggu-enclosure.com
广东永锢电子机械科技有限公司
Guangdong YONGU Electronic Machinery Technology Co., Ltd.
✉️ ducati@yonggu-enclosure.com
📍 生产中心: 广东省江门市鹤城镇鹤翔中路32号 (自编14座)
No. 32, Hexiang Middle Road, Hecheng Town, Jiangmen City,
Guangdong Province (14 self-edited)
总部: 广东省佛山市南海区大沥镇岭南路75号伟业国际大厦
24th Floor, Weiye International Building, NO.75 Lingnan Road,
Dali Town, Nanhai District, Foshan City, Guangdong Province, China



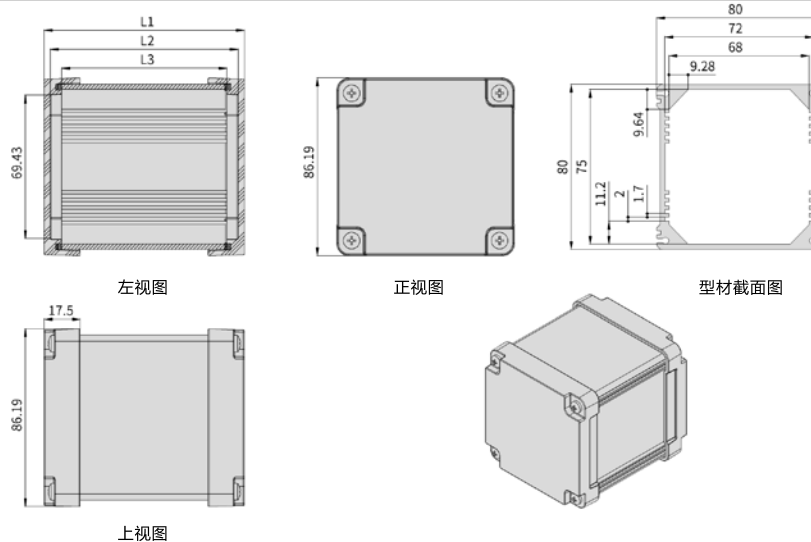
YONGU
-M series
IP68 waterproof aluminum enclosure

● YG-M02



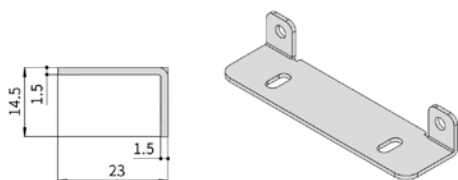
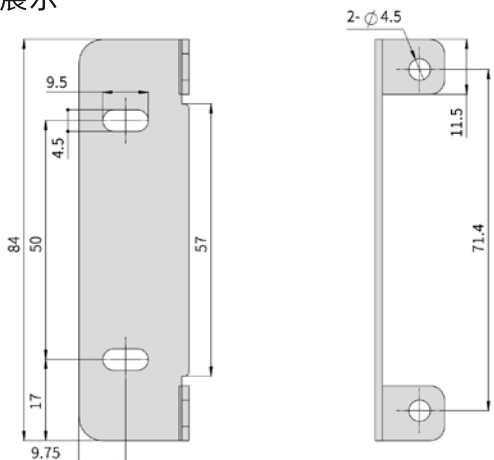
- 附带折弯配件，便于壁挂等放置方式
With bending accessories, convenient to wall mount and other ways
- 端盖配有密封胶条，防水等级可达IP68
The end cover is equipped with a sealing tape, and the waterproof grade can reach IP68
- 一体式壳体结构，稳定且易于安装
One-piece shell structure, stable and easy to install
- 内部插槽设计，可直接插入PCB板
Since the internal slot design, PCB board can be inserted into directly

序号 S/N	组件 Description	数量 pcs	材料 Material	颜色/表面处理 Color / Finish
1	壳体Shell	1	AL 6063-T5	喷砂黑色/喷砂银白Sandblasting Black/Silver
2	端盖Die-cast cover	2	ADC12	喷涂黑色Black coating
3	球面圆柱头螺丝M4X12Cross Recessed Raised Cheese Head ScrewsM4X12	8	SUS 304	/
4	点胶密封圈Dispensing Seal Ring	2	复合发泡胶 Composite Styrofoam	黑色Black

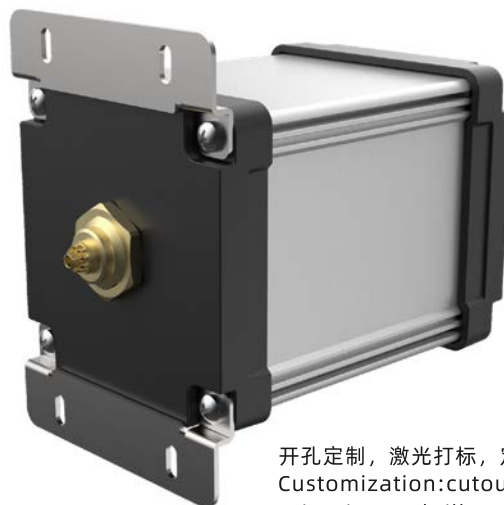


型号S/N	L1	L2	L3	重量/KG
M02-0001	97	91	80	0.515
M02-0002	117	111	100	0.573
M02-0003	137	131	120	0.631
M02-0004	157	151	140	0.689
M02-0005	171	171	160	0.746

● DETGAILS 细节展示



折弯配件，便于壁挂等放置方式
Bending accessories, easy to use for mounting on the wall



开孔定制，激光打标，定制丝印
Customization: cutouts, laser printing and silkscreen

● COLORING SCHEME 配色方案



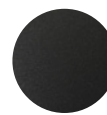
(备货颜色 Stock color)



喷砂银白
Sandblasting Silver



喷涂黑色
Spray black



喷砂黑色
Sandblasting Black



喷涂深灰
Spray Dark Gray



喷砂黑色
Sandblasting Black



喷涂黑色
Spray black



喷砂银白
Sandblasting Silver



喷涂深灰
Spray Dark Gray

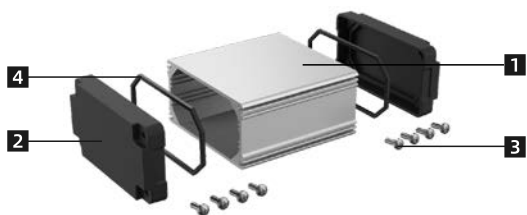


www.yg-enclosure.com / www.yonggu-enclosure.com
广东永锢电子机械科技有限公司
Guangdong YONGU Electronic Machinery Technology Co., Ltd.
✉️ ducati@yonggu-enclosure.com
📍 生产中心: 广东省江门市鹤城镇鹤翔中路32号 (自编14座)
No. 32, Hexiang Middle Road, Hecheng Town, Jiangmen City, Guangdong Province (14 self-edited)
总部: 广东省佛山市南海区大沥镇岭南南路75号伟业国际大厦
24th Floor, Weiyi International Building, NO.75 Lingnan Road, Dali Town, Nanhai District, Foshan City, Guangdong Province, China



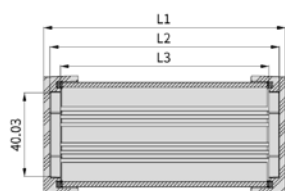
YONGU
-M series
IP68 waterproof aluminum enclosure

YG-M03



- 附带折弯配件，便于壁挂等放置方式
With bending accessories, convenient to wall mount and other ways
- 端盖配有密封胶条，防水等级可达IP68
The end cover is equipped with a sealing tape, and the waterproof grade can reach IP68
- 一体式壳体结构，稳定且易于安装
One-piece shell structure, stable and easy to install
- 内部插槽设计，可直接插入PCB板
Since the internal slot design, PCB board can be inserted into directly

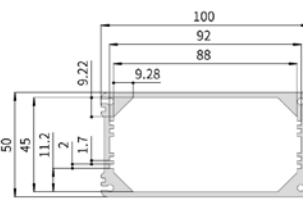
序号 S/N	组件 Description	数量 pcs	材料 Material	颜色/表面处理 Color / Finish
1	壳体Shell	1	AL 6063-T5	喷砂黑色/喷砂银白Sandblasting Black/Silver
2	端盖Die-cast cover	2	ADC12	喷涂黑色Black coating
3	球面圆柱头螺丝M4X12Cross Recessed Raised Cheese Head ScrewsM4X12	8	SUS 304	/
4	点胶密封胶圈Dispensing Seal Ring	2	复合发泡胶 Composite Styrofoam	黑色Black



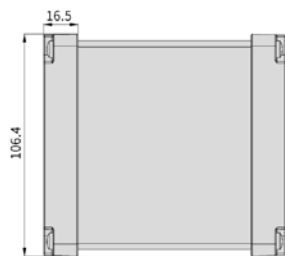
左视图



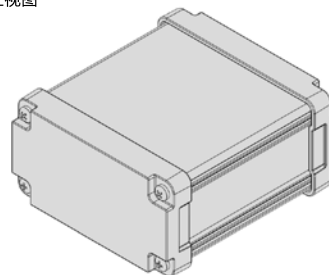
正视图



型材截面图

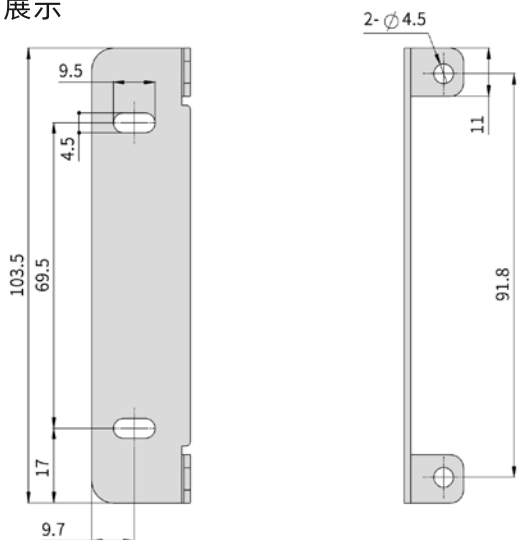


上视图

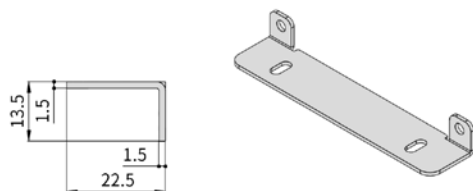


型号S/N	L1	L2	L3	重量/KG
M03-0001	116	110	100	0.52
M03-0002	136	130	120	0.573
M03-0003	166	160	150	0.653
M03-0004	196	190	180	0.733
M03-0005	216	210	200	0.786

● DETGAILS 细节展示



折弯配件，便于壁挂等放置方式
Bending accessories, easy to use for mounting on the wall



开孔定制，激光打标，定制丝印
Customization: cutouts, laser printing and silkscreen

● COLORING SCHEME 配色方案



(备货颜色 Stock color)



喷砂银白
Sandblasting Silver



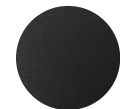
喷涂黑色
Spray black



喷砂黑色
Sandblasting Black



喷涂深灰
Spray Dark Gary



喷砂黑色
Sandblasting Black



喷涂黑色
Spray black



喷砂银白
Sandblasting Silver



喷涂深灰
Spray Dark Gary

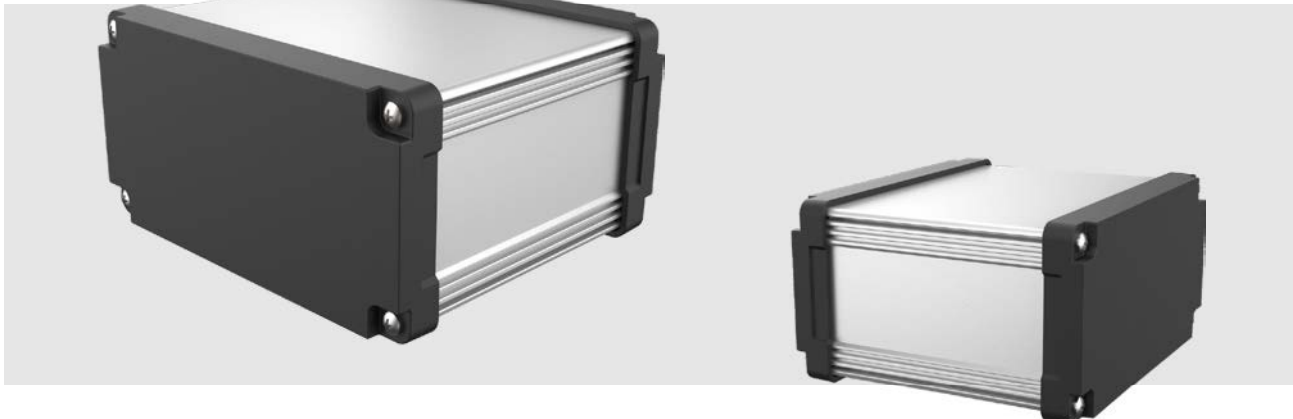


www.yg-enclosure.com/ www.yonggu-enclosure.com
广东永锢电子机械科技有限公司
Guangdong YONGU Electronic Machinery Technology Co., Ltd.
✉️ ducati@yonggu-enclosure.com
📍 生产中心: 广东省江门市鹤城镇鹤翔中路32号 (自编14座)
No. 32, Hexiang Middle Road, Hecheng Town, Jiangmen City,
Guangdong Province (14 self-edited)
总部: 广东省佛山市南海区大沥镇岭南南路75号伟业国际大厦
24th Floor, Weiye International Building, NO.75 Lingnan Road,
Dali Town, Nanhai District, Foshan City, Guangdong Province, China



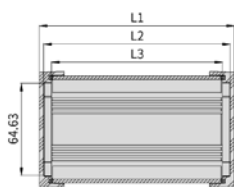
YONGU
-M series
IP68 waterproof aluminum enclosure

YG-M04

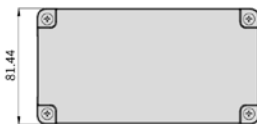


- 附带折弯配件，便于壁挂等放置方式
With bending accessories, convenient to wall mount and other ways
- 端盖配有密封胶条，防水等级可达IP68
The end cover is equipped with a sealing tape, and the waterproof grade can reach IP68
- 一体式壳体结构，稳定且易于安装
One-piece shell structure, stable and easy to install
- 内部插槽设计，可直接插入PCB板
Since the internal slot design, PCB board can be inserted into directly

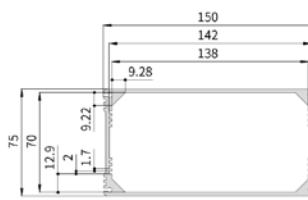
序号 S/N	组件 Description	数量 pcs	材料 Material	颜色/表面处理 Color / Finish
1	壳体Shell	1	AL 6063-T5	喷砂黑色/喷砂银白Sandblasting Black/Silver
2	端盖Die-cast cover	2	ADC12	喷涂黑色Black coating
3	球面圆柱头螺丝M4X12Cross Recessed Raised Cheese Head ScrewsM4X12	8	SUS 304	/
4	点胶密封圈Dispensing Seal Ring	2	复合发泡胶 Composite Styrofoam	黑色Black



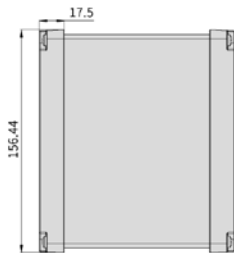
左视图



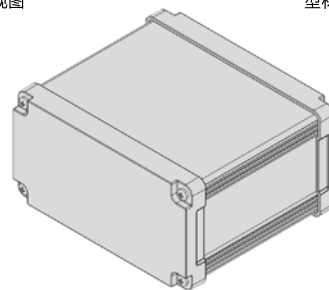
正视图



型材截面图

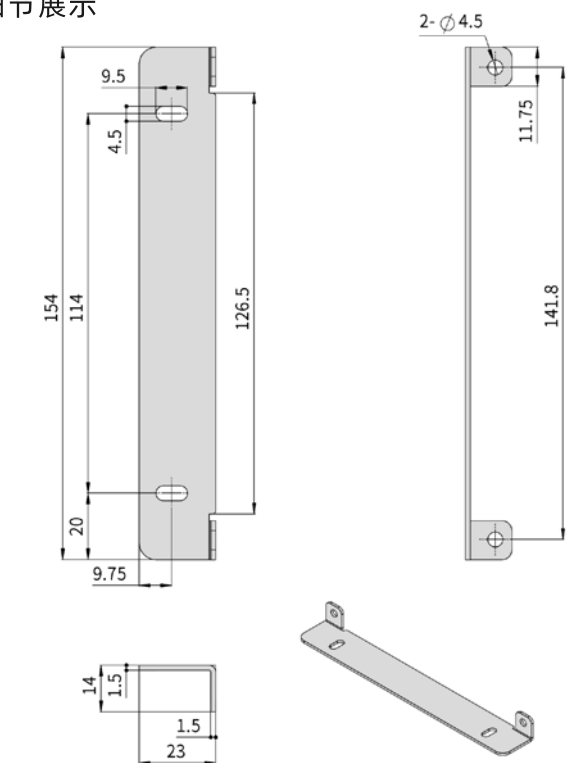


上视图



型号S/N	L1	L2	L3	重量/KG
M04-0001	137	131	120	0.903
M04-0002	167	161	150	1.016
M04-0003	197	191	180	1.129
M04-0004	237	231	200	1.205
M04-0005	257	251	220	1.28

● DETGAILS 细节展示



折弯配件，便于壁挂等放置方式
Bending accessories, easy to use for mounting on the wall



开孔定制，激光打标，定制丝印
Customization: cutouts, laser printing and silkscreen

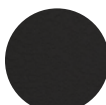
● COLORING SCHEME 配色方案



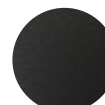
(备货颜色 Stock color)



喷砂银白
Sandblasting Silver



喷涂黑色
Spray black



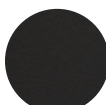
喷砂黑色
Sandblasting Black



喷涂深灰
Spray Dark Gray



喷砂黑色
Sandblasting Black



喷涂黑色
Spray black



喷砂银白
Sandblasting Silver



喷涂深灰
Spray Dark Gray

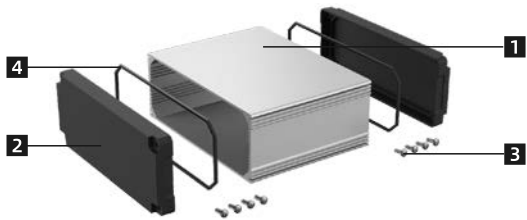


www.yg-enclosure.com/ www.yonggu-enclosure.com
广东永锢电子机械科技有限公司
Guangdong YONGU Electronic Machinery Technology Co., Ltd.
✉️ ducati@yonggu-enclosure.com
📍 生产中心: 广东省江门市鹤城镇鹤翔中路32号 (自编14座)
No. 32, Hexiang Middle Road, Hecheng Town, Jiangmen City,
Guangdong Province (14 self-edited)
总部: 广东省佛山市南海区大沥镇岭南路75号伟业国际大厦
24th Floor, Weiye International Building, NO.75 Lingnan Road,
Dali Town, Nanhai District, Foshan City, Guangdong Province, China



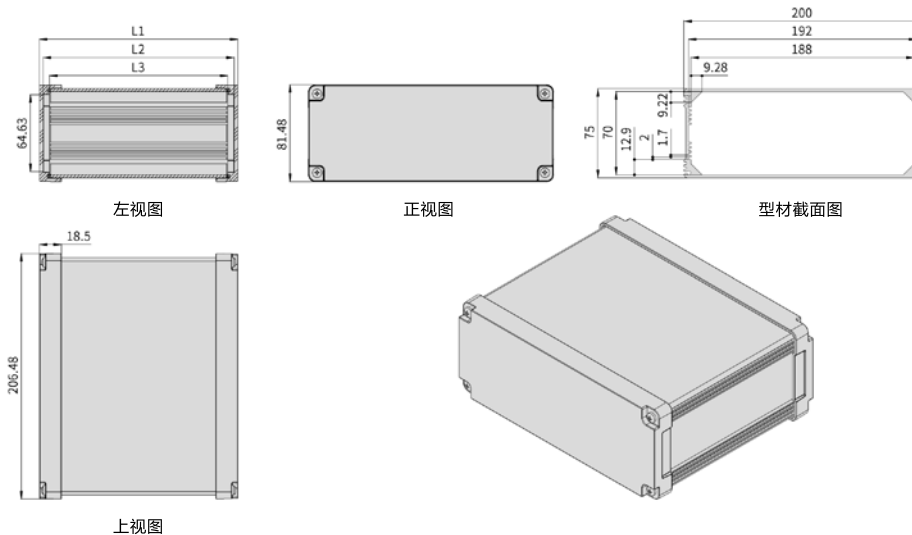
YONGU
-M series
IP68 waterproof aluminum enclosure

YG-M05



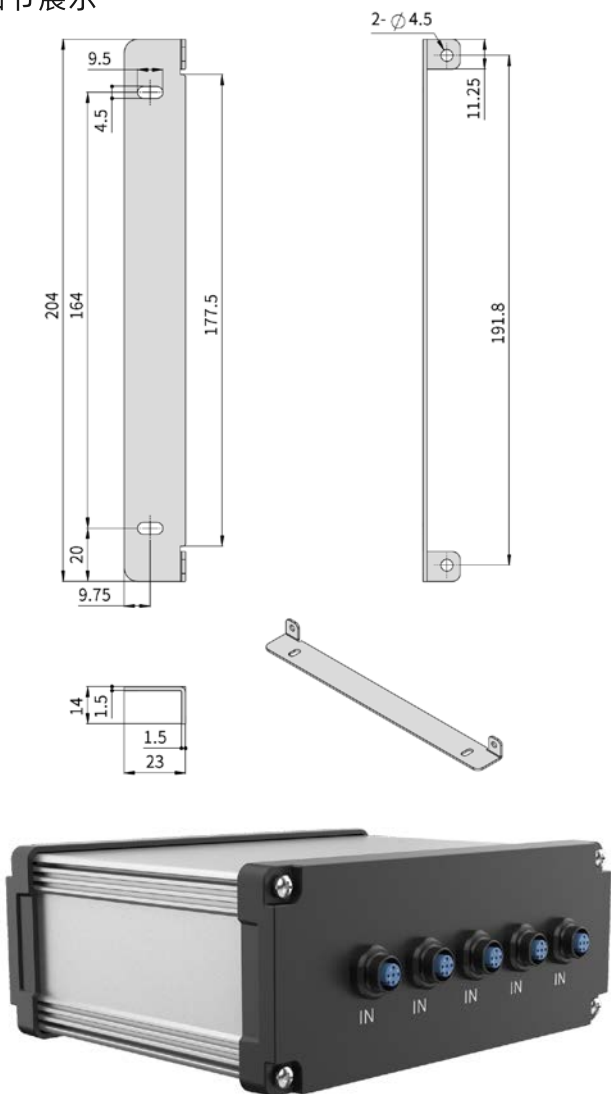
- 附带折弯配件，便于壁挂等放置方式
With bending accessories, convenient to wall mount and other ways
- 端盖配有密封胶条，防水等级可达IP68
The end cover is equipped with a sealing tape, and the waterproof grade can reach IP68
- 一体式壳体结构，稳定且易于安装
One-piece shell structure, stable and easy to install
- 内部插槽设计，可直接插入PCB板
Since the internal slot design, PCB board can be inserted into directly

序号 S/N	组件 Description	数量 pcs	材料 Material	颜色/表面处理 Color / Finish
1	壳体Shell	1	AL 6063-T5	喷砂黑色/喷砂银白Sandblasting Black/Silver
2	端盖Die-cast cover	2	ADC12	喷涂黑色Black coating
3	球面圆柱头螺丝M4X12Cross Recessed Raised Cheese Head ScrewsM4X12	8	SUS 304	/
4	点胶密封圈Dispensing Seal Ring	2	复合发泡胶 Composite Styrofoam	黑色Black



型号S/N	L1	L2	L3	重量/KG
M05-0001	167	161	150	1.261
M05-0002	197	191	180	1.396
M05-0003	217	211	200	1.485
M05-0004	237	231	220	1.575
M05-0005	267	261	250	1.71

● DETGAILS 细节展示



折弯配件，便于壁挂等放置方式
Bending accessories, easy to use
for mounting on the wall



开孔定制，激光打标，定制丝印
Customization: cutouts, laser
printing and silkscreen

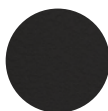
● COLORING SCHEME 配色方案



(备货颜色 Stock color)



喷砂银白
Sandblasting Silver



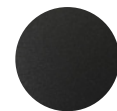
喷涂黑色
Spray black



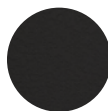
喷砂黑色
Sandblasting Black



喷涂深灰
Spray Dark Gary



喷砂黑色
Sandblasting Black



喷涂黑色
Spray black



喷砂银白
Sandblasting Silver



喷涂深灰
Spray Dark Gary

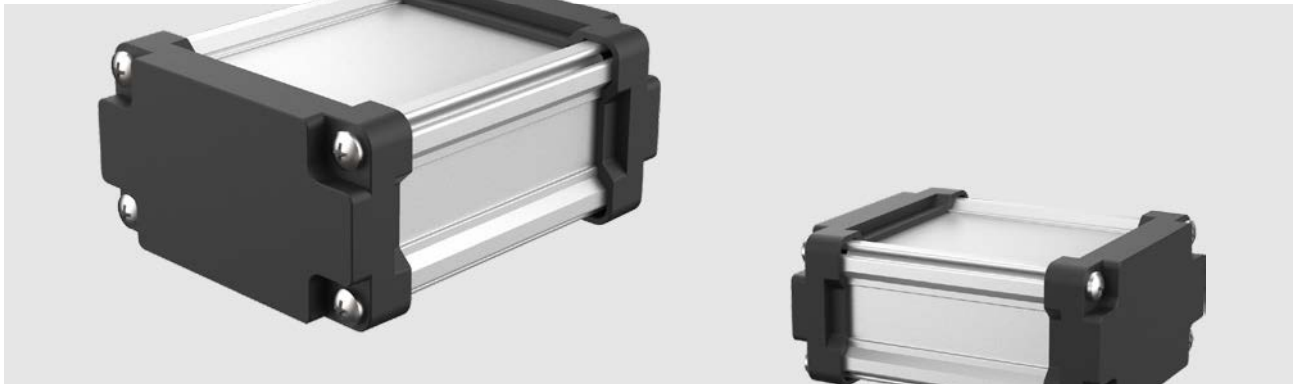


www.yg-enclosure.com/ www.yonggu-enclosure.com
广东永锢电子机械科技有限公司
Guangdong YONGU Electronic Machinery Technology Co., Ltd.
✉️ ducati@yonggu-enclosure.com
📍 生产中心: 广东省江门市鹤城镇鹤翔中路32号 (自编14座)
No. 32, Hexiang Middle Road, Hecheng Town, Jiangmen City,
Guangdong Province (14 self-edited)
总部: 广东省佛山市南海区大沥镇岭南路75号伟业国际大厦
24th Floor, Weiye International Building, NO.75 Lingnan Road,
Dali Town, Nanhai District, Foshan City, Guangdong Province, China



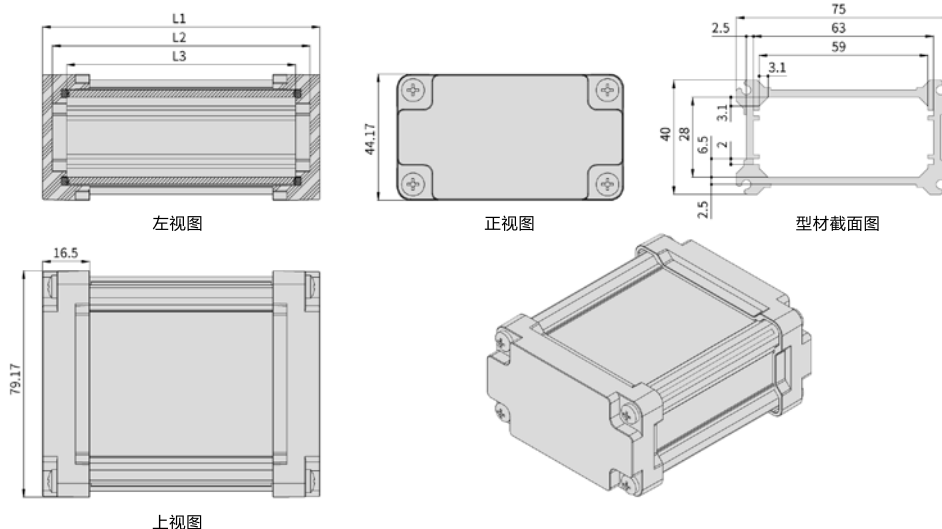
YONGU
-M series
IP68 waterproof aluminum enclosure

YG-M06



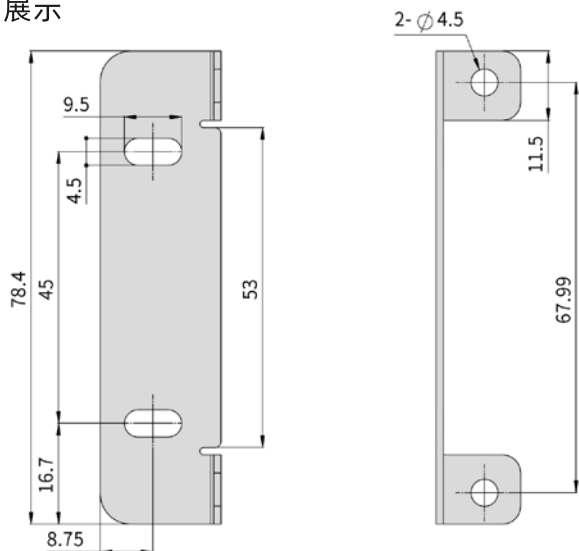
- 附带折弯配件，便于壁挂等放置方式
With bending accessories, convenient to wall mount and other ways
- 端盖配有密封胶条，防水等级可达IP68
The end cover is equipped with a sealing tape, and the waterproof grade can reach IP68
- 一体式壳体结构，稳定且易于安装
One-piece shell structure, stable and easy to install
- 内部插槽设计、可直接插入PCB板
Since the internal slot design, PCB board can be inserted into directly

序号 S/N	组件 Description	数量 pcs	材料 Material	颜色/表面处理 Color / Finish
1	壳体Shell	1	AL 6063-T5	喷砂黑色/喷砂银白Sandblasting Black/Silver
2	端盖Die-cast cover	2	ADC12	喷涂黑色Black coating
3	球面圆柱头螺丝M4X12Cross Recessed Raised Cheese Head ScrewsM4X12	8	SUS 304	/
4	点胶密封胶圈Dispensing Seal Ring	2	复合发泡胶 Composite Styrofoam	黑色Black

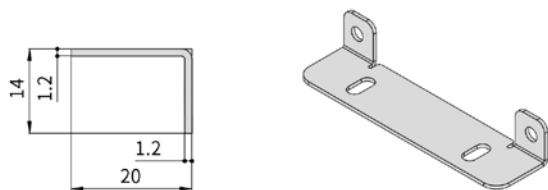


型号S/N	L1	L2	L3	重量/KG
M06-0001	97	90	80	0.329
M06-0002	117	110	100	0.367
M06-0003	137	130	120	0.405
M06-0004	167	160	150	0.461
M06-0005	197	190	180	0.518

● DETGAILS 细节展示



折弯配件，便于壁挂等放置方式
Bending accessories, easy to use
for mounting on the wall



开孔定制，激光打标，定制丝印
Customization: cutouts, laser
printing and silkscreen

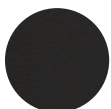
● COLORING SCHEME 配色方案



(备货颜色 Stock color)



喷砂银白
Sandblasting Silver



喷涂黑色
Spray black



喷砂黑色
Sandblasting Black



喷涂深灰
Spray Dark Gray



喷砂黑色
Sandblasting Black



喷涂黑色
Spray black



喷砂银白
Sandblasting Silver



喷涂深灰
Spray Dark Gray

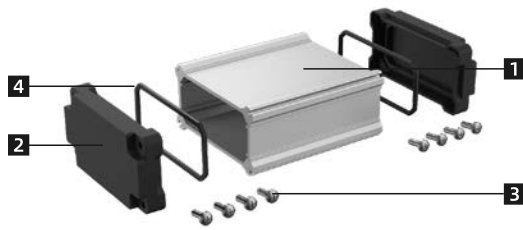
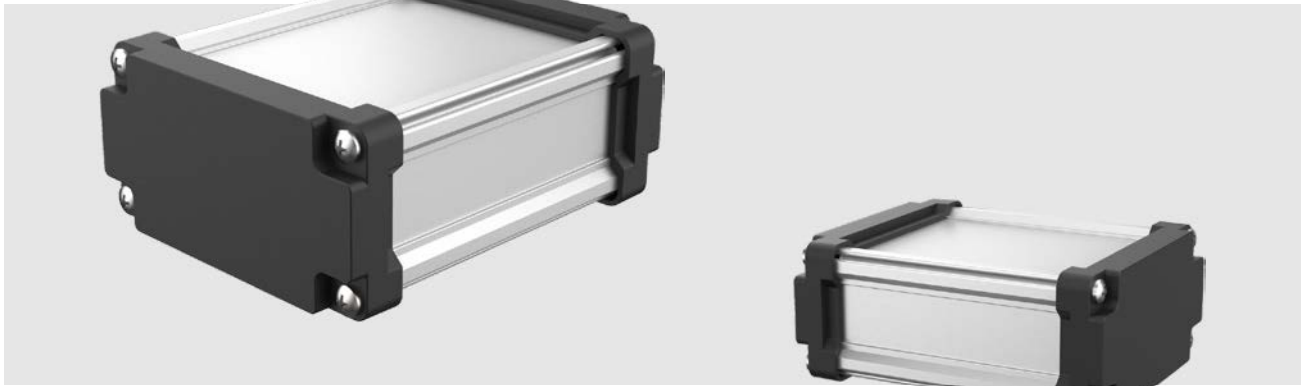


www.yg-enclosure.com / www.yonggu-enclosure.com
广东永锢电子机械科技有限公司
Guangdong YONGU Electronic Machinery Technology Co., Ltd.
ducati@yonggu-enclosure.com
● 生产中心: 广东省江门市鹤城镇鹤翔中路32号 (自编14座)
No. 32, Hexiang Middle Road, Hecheng Town, Jiangmen City,
Guangdong Province (14 self-edited)
总部: 广东省佛山市南海区大沥镇岭南南路75号伟业国际大厦
24th Floor, Weiye International Building, NO.75 Lingnan Road,
Dali Town, Nanhai District, Foshan City, Guangdong Province, China



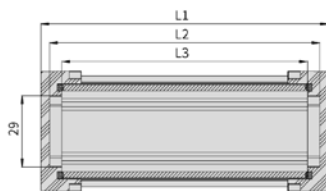
YONGU
-M series
IP68 waterproof aluminum enclosure

YG-M07



- 附带折弯配件，便于壁挂等放置方式
With bending accessories, convenient to wall mount and other ways
- 端盖配有密封胶条，防水等级可达IP68
The end cover is equipped with a sealing tape, and the waterproof grade can reach IP68
- 一体式壳体结构，稳定且易于安装
One-piece shell structure, stable and easy to install
- 内部插槽设计，可直接插入PCB板
Since the internal slot design, PCB board can be inserted into directly

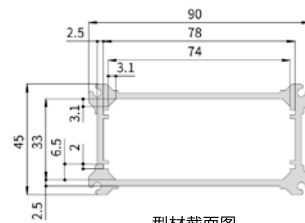
序号 S/N	组件 Description	数量 pcs	材料 Material	颜色/表面处理 Color / Finish
1	壳体Shell	1	AL 6063-T5	喷砂黑色/喷砂银白Sandblasting Black/Silver
2	端盖Die-cast cover	2	ADC12	喷涂黑色Black coating
3	球面圆柱头螺丝M4X12Cross Recessed Raised Cheese Head ScrewsM4X12	8	SUS 304	/
4	点胶密封胶圈Dispensing Seal Ring	2	复合发泡胶 Composite Styrofoam	黑色Black



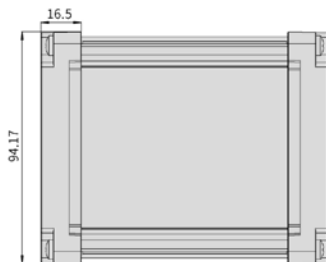
左视图



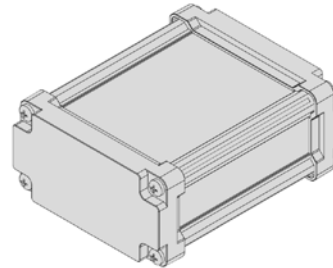
正视图



型材截面图

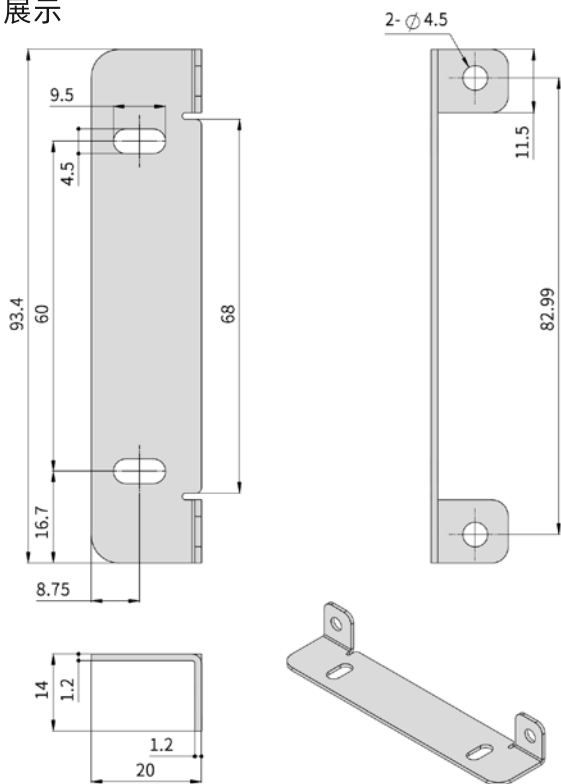


上视图



型号S/N	L1	L2	L3	重量/KG
M07-0001	117	110	100	0.436
M07-0002	137	130	120	0.479
M07-0003	167	160	150	0.544
M07-0004	197	190	180	0.609
M07-0005	217	210	200	0.652

● DETGAILS 细节展示



折弯配件，便于壁挂等放置方式
Bending accessories, easy to use
for mounting on the wall



开孔定制，激光打标，定制丝印
Customization: cutouts, laser
printing and silkscreen

● COLORING SCHEME 配色方案



(备货颜色 Stock color)



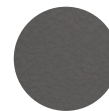
喷砂银白
Sandblasting Silver



喷涂黑色
Spray black



喷砂黑色
Sandblasting Black



喷涂深灰
Spray Dark Gray



喷砂黑色
Sandblasting Black



喷涂黑色
Spray black



喷砂银白
Sandblasting Silver



喷涂深灰
Spray Dark Gray

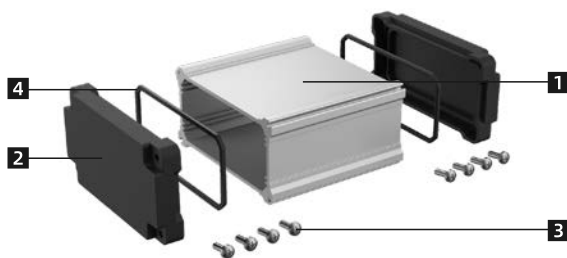


www.yg-enclosure.com / www.yonggu-enclosure.com
广东永锢电子机械科技有限公司
Guangdong YONGU Electronic Machinery Technology Co., Ltd.
ducati@yonggu-enclosure.com
● 生产中心: 广东省江门市鹤城镇鹤翔中路32号 (自编14座)
No. 32, Hexiang Middle Road, Hecheng Town, Jiangmen City,
Guangdong Province (14 self-edited)
总部: 广东省佛山市南海区大沥镇岭南路75号伟业国际大厦
24th Floor, Weiyi International Building, NO.75 Lingnan Road,
Dali Town, Nanhai District, Foshan City, Guangdong Province, China



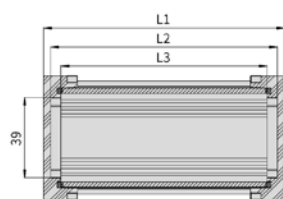
YONGU
-M series
IP68 waterproof aluminum enclosure

YG-M08



- 附带折弯配件，便于壁挂等放置方式
With bending accessories, convenient to wall mount and other ways
- 端盖配有密封胶条，防水等级可达IP68
The end cover is equipped with a sealing tape, and the waterproof grade can reach IP68
- 一体式壳体结构，稳定且易于安装
One-piece shell structure, stable and easy to install
- 内部插槽设计，可直接插入PCB板
Since the internal slot design, PCB board can be inserted into directly

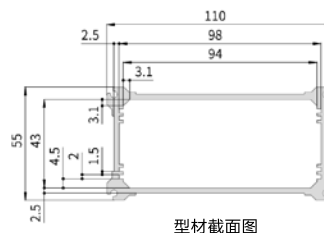
序号 S/N	组件 Description	数量 pcs	材料 Material	颜色/表面处理 Color / Finish
1	壳体Shell	1	AL 6063-T5	喷砂黑色/喷砂银白Sandblasting Black/Silver
2	端盖Die-cast cover	2	ADC12	喷涂黑色Black coating
3	球面圆柱头螺丝M4X12Cross Recessed Raised Cheese Head ScrewsM4X12	8	SUS 304	/
4	点胶密封胶圈Dispensing Seal Ring	2	复合发泡胶 Composite Styrofoam	黑色Black



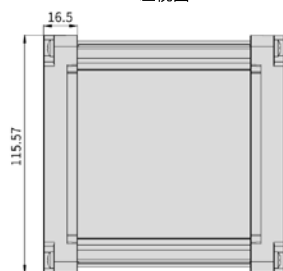
左视图



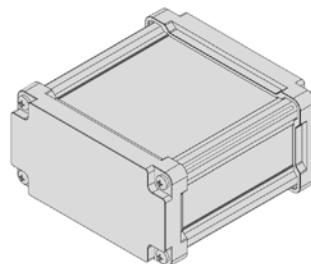
正视图



型材截面图

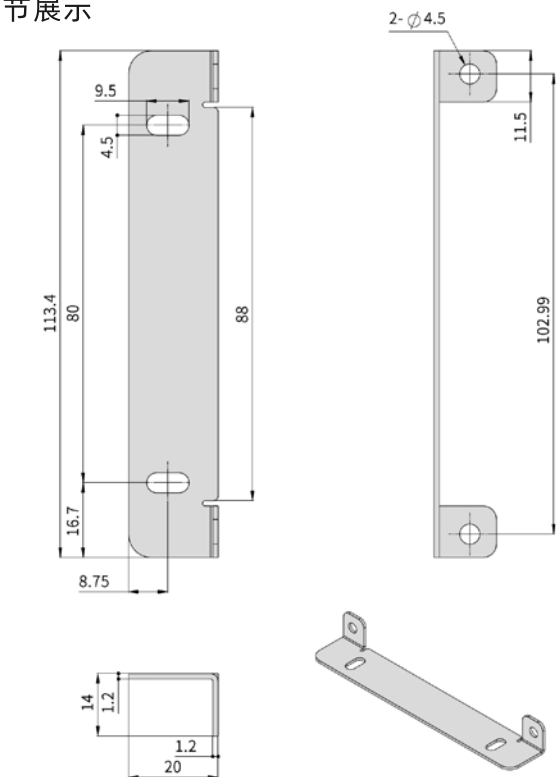


上视图



型号S/N	L1	L2	L3	重量/KG
M08-0001	117	110	100	0.578
M08-0002	137	130	120	0.632
M08-0003	167	160	150	0.713
M08-0004	197	190	180	0.794
M08-0005	217	210	200	0.848

● DETGAILS 细节展示



折弯配件，便于壁挂等放置方式
Bending accessories, easy to use for mounting on the wall



开孔定制，激光打标，定制丝印
Customization: cutouts, laser printing and silkscreen

● COLORING SCHEME 配色方案



(备货颜色 Stock color)



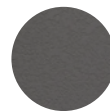
喷砂银白
Sandblasting Silver



喷涂黑色
Spray black



喷砂黑色
Sandblasting Black



喷涂深灰
Spray Dark Gray



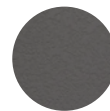
喷砂黑色
Sandblasting Black



喷涂黑色
Spray black



喷砂银白
Sandblasting Silver



喷涂深灰
Spray Dark Gray

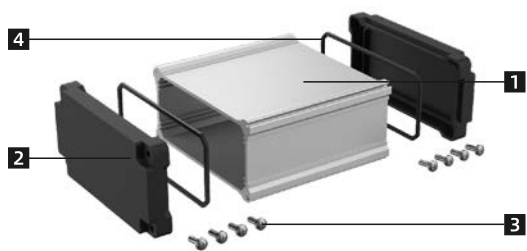


www.yg-enclosure.com/ www.yonggu-enclosure.com
广东永锢电子机械科技有限公司
Guangdong YONGU Electronic Machinery Technology Co., Ltd.
✉️ ducati@yonggu-enclosure.com
📍 生产中心: 广东省江门市鹤城镇鹤翔中路32号 (自编14座)
No. 32, Hexiang Middle Road, Hecheng Town, Jiangmen City, Guangdong Province (14 self-edited)
总部: 广东省佛山市南海区大沥镇岭南路75号伟业国际大厦
24th Floor, Weiye International Building, NO.75 Lingnan Road, Dali Town, Nanhai District, Foshan City, Guangdong Province, China



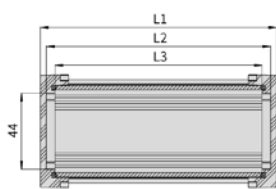
YONGU
-M series
IP68 waterproof aluminum enclosure

● YG-M09



- 附带折弯配件，便于壁挂等放置方式
With bending accessories, convenient to wall mount and other ways
- 端盖配有密封胶条，防水等级可达IP68
The end cover is equipped with a sealing tape, and the waterproof grade can reach IP68
- 一体式壳体结构，稳定且易于安装
One-piece shell structure, stable and easy to install
- 内部插槽设计、可直接插入PCB板
Since the internal slot design, PCB board can be inserted into directly

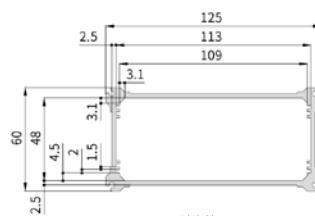
序号 S/N	组件 Description	数量 pcs	材料 Material	颜色/表面处理 Color / Finish
1	壳体Shell	1	AL 6063-T5	喷砂黑色/喷砂银白Sandblasting Black/Silver
2	端盖Die-cast cover	2	ADC12	喷涂黑色Black coating
3	球面圆柱头螺丝M4X12Cross Recessed Raised Cheese Head ScrewsM4X12	8	SUS 304	/
4	点胶密封圈Dispensing Seal Ring	2	复合发泡胶 Composite Styrofoam	黑色Black



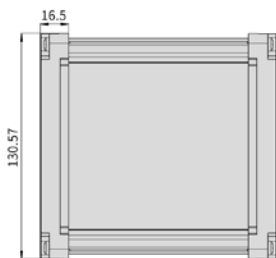
左视图



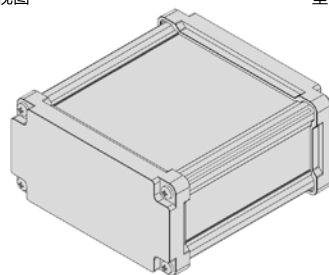
正视图



型材截面图

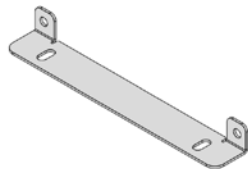
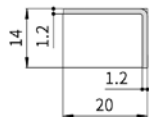
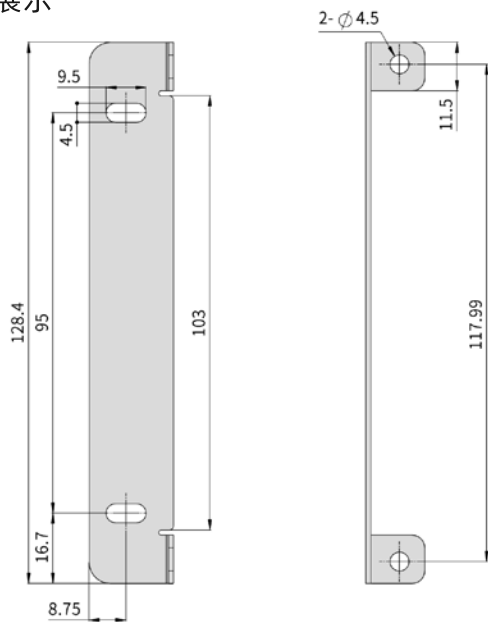


上视图



型号S/N	L1	L2	L3	重量/KG
M09-0001	137	130	120	0.717
M09-0002	167	160	150	0.806
M09-0003	197	190	180	0.895
M09-0004	217	210	200	0.954
M09-0005	267	260	250	1.102

● DETGAILS 细节展示



折弯配件，便于壁挂等放置方式
Bending accessories, easy to use
for mounting on the wall



开孔定制，激光打标，定制丝印
Customization: cutouts, laser
printing and silkscreen

● COLORING SCHEME 配色方案



(备货颜色 Stock color)



喷砂银白
Sandblasting Silver



喷涂黑色
Spray black



喷砂黑色
Sandblasting Black



喷涂深灰
Spray Dark Gary



喷砂黑色
Sandblasting Black



喷涂黑色
Spray black



喷砂银白
Sandblasting Silver



喷涂深灰
Spray Dark Gary

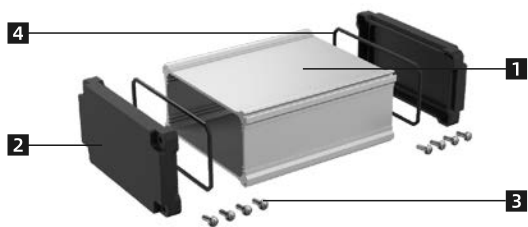


www.yg-enclosure.com/ www.yonggu-enclosure.com
广东永锢电子机械科技有限公司
Guangdong YONGU Electronic Machinery Technology Co., Ltd.
ducati@yonggu-enclosure.com
生产中心: 广东省江门市鹤城镇鹤翔中路32号 (自编14座)
No. 32, Hexiang Middle Road, Hecheng Town, Jiangmen City,
Guangdong Province (14 self-edited)
总部: 广东省佛山市南海区大沥镇岭南路75号伟业国际大厦
24th Floor, Weiye International Building, NO.75 Lingnan Road,
Dali Town, Nanhai District, Foshan City, Guangdong Province, China



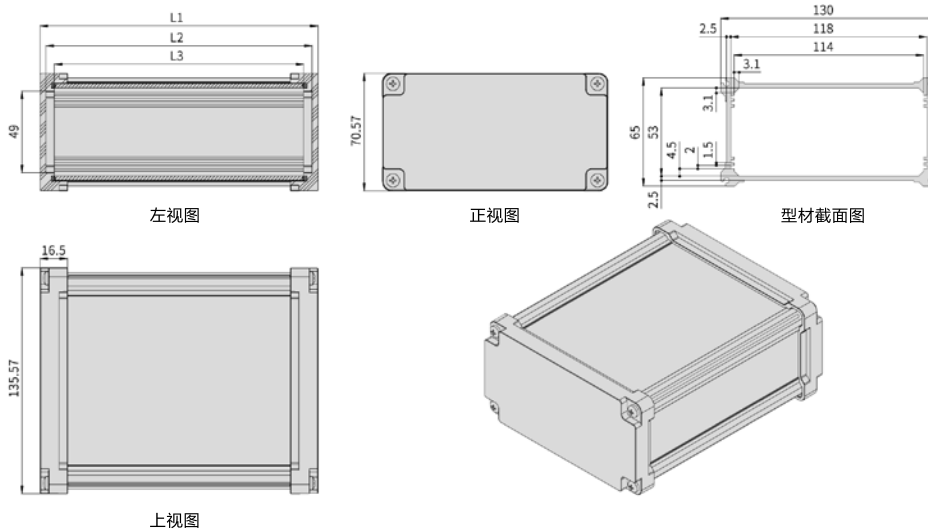
YONGU
-M series
IP68 waterproof aluminum enclosure

YG-M10



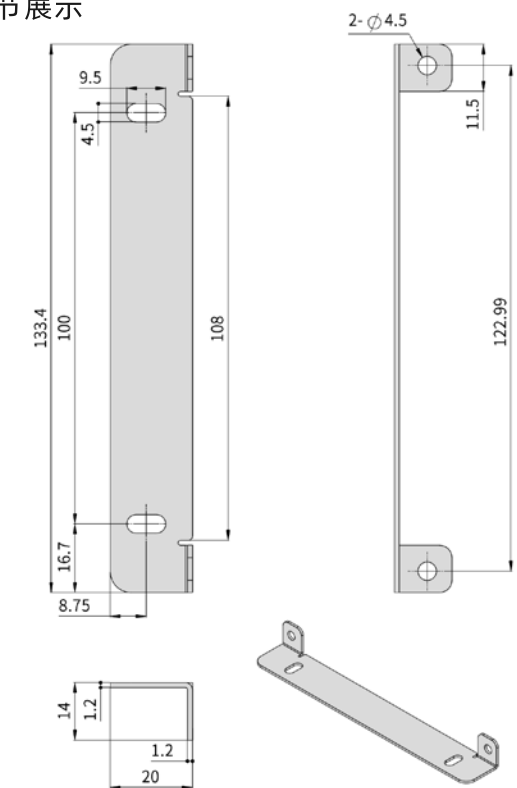
- 附带折弯配件，便于壁挂等放置方式
With bending accessories, convenient to wall mount and other ways
- 端盖配有密封胶条，防水等级可达IP68
The end cover is equipped with a sealing tape, and the waterproof grade can reach IP68
- 一体式壳体结构，稳定且易于安装
One-piece shell structure, stable and easy to install
- 内部插槽设计、可直接插入PCB板
Since the internal slot design, PCB board can be inserted into directly

序号 S/N	组件 Description	数量 pcs	材料 Material	颜色/表面处理 Color / Finish
1	壳体Shell	1	AL 6063-T5	喷砂黑色/喷砂银白Sandblasting Black/Silver
2	端盖Die-cast cover	2	ADC12	喷涂黑色Black coating
3	球面圆柱头螺丝M4X12Cross Recessed Raised Cheese Head ScrewsM4X12	8	SUS 304	/
4	点胶密封圈Dispensing Seal Ring	2	复合发泡胶 Composite Styrofoam	黑色Black



型号S/N	L1	L2	L3	重量/KG
M10-0001	167	160	150	0.856
M10-0002	197	190	180	0.949
M10-0003	217	210	200	1.011
M10-0004	237	230	220	1.073
M10-0005	267	260	250	1.166

● DETGAILS 细节展示



折弯配件，便于壁挂等放置方式
Bending accessories, easy to use for mounting on the wall

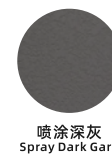
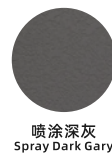


开孔定制，激光打标，定制丝印
Customization: cutouts, laser printing and silkscreen

● COLORING SCHEME 配色方案



(备货颜色 Stock color)

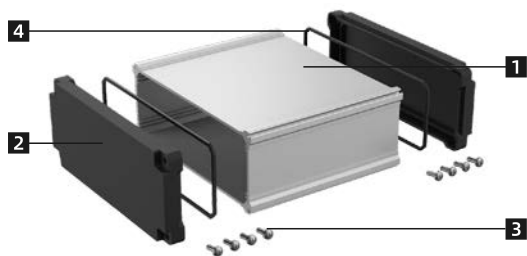


www.yg-enclosure.com/ www.yonggu-enclosure.com
广东永锢电子机械科技有限公司
Guangdong YONGU Electronic Machinery Technology Co., Ltd.
ducati@yonggu-enclosure.com
生产中心：广东省江门市鹤城镇鹤翔中路32号（自编14座）
No. 32, Hexiang Middle Road, Hecheng Town, Jiangmen City, Guangdong Province (14 self-edited)
总部：广东省佛山市南海区大沥镇岭南路75号伟业国际大厦
24th Floor, Weiye International Building, NO.75 Lingnan Road, Dali Town, Nanhai District, Foshan City, Guangdong Province, China



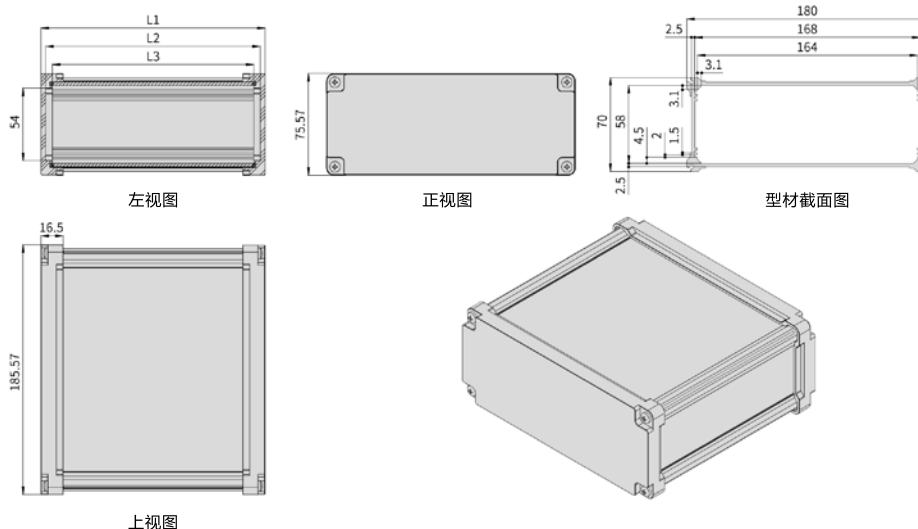
YONGU
-M series
IP68 waterproof aluminum enclosure

YG-M11



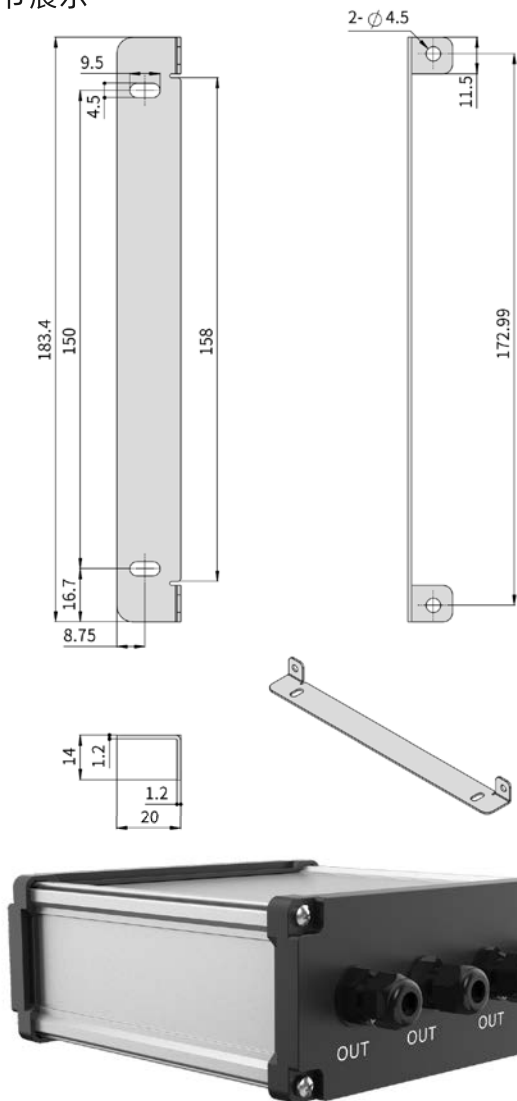
- 附带折弯配件，便于壁挂等放置方式
With bending accessories, convenient to wall mount and other ways
- 端盖配有密封胶条，防水等级可达IP68
The end cover is equipped with a sealing tape, and the waterproof grade can reach IP68
- 一体式壳体结构，稳定且易于安装
One-piece shell structure, stable and easy to install
- 内部插槽设计，可直接插入PCB板
Since the internal slot design, PCB board can be inserted into directly

序号 S/N	组件 Description	数量 pcs	材料 Material	颜色/表面处理 Color / Finish
1	壳体Shell	1	AL 6063-T5	喷砂黑色/喷砂银白Sandblasting Black/Silver
2	端盖Die-cast cover	2	ADC12	喷涂黑色Black coating
3	球面圆柱头螺丝M4X12Cross Recessed Raised Cheese Head ScrewsM4X12	8	SUS 304	/
4	点胶密封圈Dispensing Seal Ring	2	复合发泡胶 Composite Styrofoam	黑色Black



型号S/N	L1	L2	L3	重量/KG
M11-0001	167	160	150	1.117
M11-0002	217	210	200	1.309
M11-0003	237	230	220	1.386
M11-0004	267	260	250	1.501
M11-0005	317	310	300	1.693

● DETGAILS 细节展示



折弯配件，便于壁挂等放置方式
Bending accessories, easy to use for mounting on the wall



开孔定制，激光打标，定制丝印
Customization: cutouts, laser printing and silkscreen

● COLORING SCHEME 配色方案



(备货颜色 Stock color)



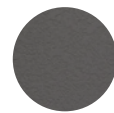
喷砂银白
Sandblasting Silver



喷涂黑色
Spray black



喷砂黑色
Sandblasting Black



喷涂深灰
Spray Dark Gary



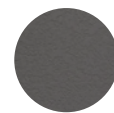
喷砂黑色
Sandblasting Black



喷涂黑色
Spray black



喷砂银白
Sandblasting Silver



喷涂深灰
Spray Dark Gary



www.yg-enclosure.com/ www.yonggu-enclosure.com
广东永固电子机械科技有限公司
Guangdong YONGU Electronic Machinery Technology Co., Ltd.
ducati@yonggu-enclosure.com
生产中心: 广东省江门市鹤城镇鹤翔中路32号 (自编14座)
No. 32, Hexiang Middle Road, Hecheng Town, Jiangmen City,
Guangdong Province (14 self-edited)
总部: 广东省佛山市南海区大沥镇岭南路75号伟业国际大厦
24th Floor, Weiye International Building, NO.75 Lingnan Road,
Dali Town, Nanhai District, Foshan City, Guangdong Province, China